

CABLE 163 RF: MMCX STRAIGHT PLUG + RG174 CABLE + BNC STRAIGHT BULKHEAD JACK WITH O-RING RATED TO IP67/68

SPECIFICATIONS:

1. MMCX STRAIGHT PLUG, P/N: C05AA3F174003.
2. RG174 COAXIAL CABLE, COLOR: BLACK.
3. BNC STRAIGHT BULKHEAD JACK WITH O-RING RATED TO IP67/68, P/N: RFCT-BNC001-F74.

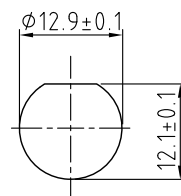
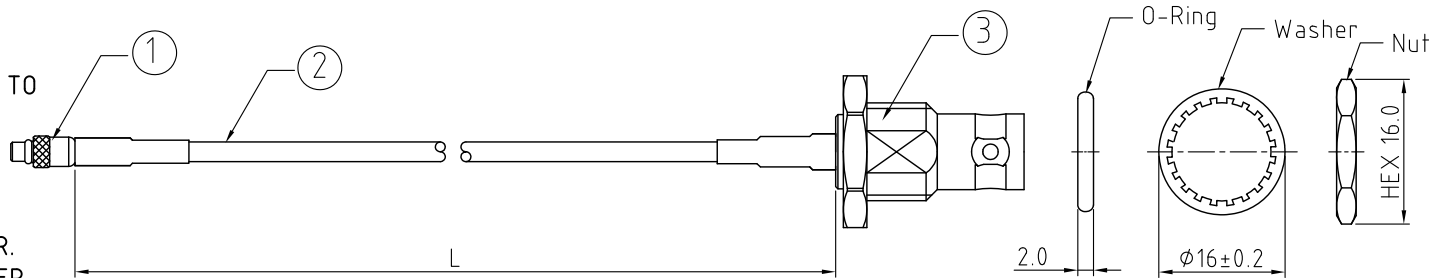
ENVIRONMENTAL:

A. BULKHEAD MOUNTED CONNECTOR (RFCT-BNC001-F74) TESTED TO THE FOLLOWING SPECIFICATION:

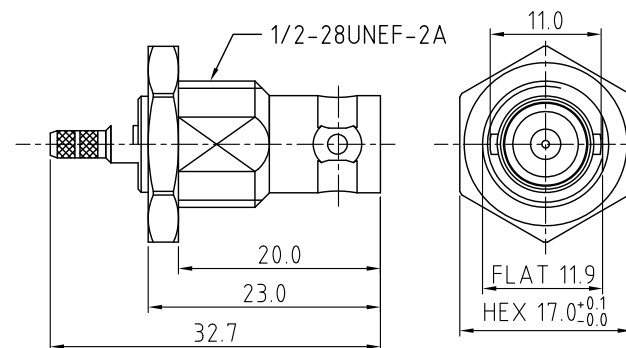
- i. IP6X - DUST TIGHT - NO PARTICLE INGRESS.
- ii. IPX7 WATERPROOF FOR 30 MINUTES UP TO 1 METER UNDERWATER.
- iii. IPX8 WATERPROOF FOR 48 HOURS AT 1 METER UNDERWATER.
- iv. IPX8 WATERPROOF FOR 12 HOURS AT 5 METERS UNDERWATER.
- v. PRESSURE TEST - 1 BAR FOR 10 SECONDS.

NOTES:

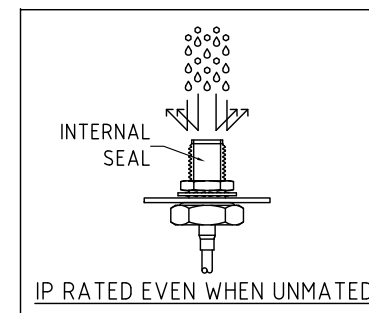
1. WORKING FREQUENCY RANGE: DC-3GHz.



RECOMMENDED BNC MOUNTING HOLE



BNC DETAIL DRAWING



HOW TO ORDER

CABLE 163 RF - X X X X - X - 1

"L" LENGTH IN MM

eg: 100MM = 0100

(MIN. = 0050, MAX. = 2000,

STANDARD = 0100, 0150, 0200)

Tolerance: 50-200mm: ±5mm.

201-500mm: ±7mm.

>500mm: ±10mm.

CABLE SIZE OPTIONS:

1 = RG174 CABLE, COLOR: BLACK

O-RING, WASHER AND NUT OPTIONS:

BLANK = SEPARATELY PACKED (STANDARD)

A = ASSEMBLED WITH CONNECTOR

REV. DATE & DRN
10 28/11/19 - INTX RELEASE
11 23/06/19 - INTX NUMBER
12 30/11/19 - INTX NUMBER
13 ADD IP67/68 RATING INFO.
13 25/02/24 - CC
ADD IP RATING VIEW

Scale: NTS	THIRD ANGLE	Unstated Tolerances: .X ±0.2 .XX ±0.1 .XXX ±0.05 ANGLES ±5
Drawn: CC		
App'd: XXX	Title CABLE ASSEMBLY	
Date: 25 FEB. '24	Revision: 1.3	Unit: mm

IP Rated RF Products

www.gradconn.com

Type: Cable 163 RF
CABLE 163 RF
Drawing Number:
Sheet 1 of 1
Drawing © E and O E